

# RCS Series

Ceiling / In-wall speakers



**RCS 003**



**RCS 002**



**RCS 001**



Rear View

**RCS Series** is composed of three in-wall loudspeakers, all designed both background music systems and other commercial audio applications.

Molded in high resistance ABS plastic, these shallow depth speakers have a rectangular shape (allowing to place as much in-wall as ceiling, depending on the design or requirements of the installation). They also feature an efficient 2-way system with passive crossover (3-way system for **RCS 003**).

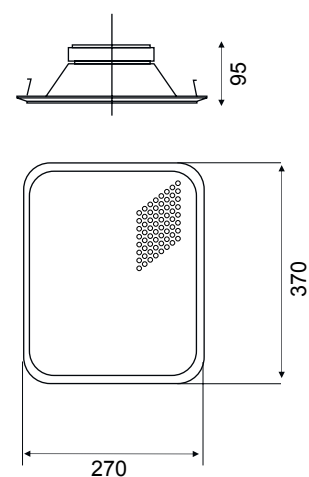
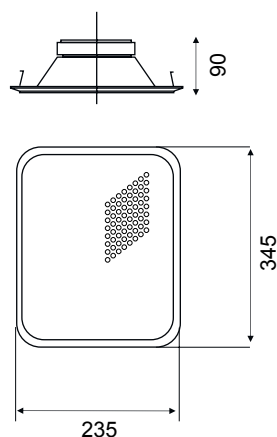
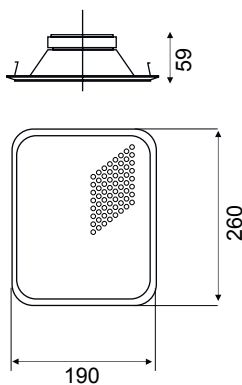
They are suitable for high impedance (100V) voltage line installations. Due to their wide frequency range, they provide optimum results even at low frequencies.

## Features

- In-wall/ceiling speakers designed for any commercial audio applications.
- Rectangular shape.
- 2-way system with passive crossover (**RCS 001/002**)
- 3-way system with passive crossover (**RCS 003**).
- 5" woofer + 1" Tweeter (**RCS 001**).
- 6.5" woofer + 1" Tweeter (**RCS 002**).
- 8" woofer + 2.5" Tweeter + 1" silk dome (**RCS 003**).
- Suitable for high impedance (100V) voltage line.
- Three power positions for 70V line:
  - 2/4/6W (**RCS 001**).
  - 5/7.5/10W (**RCS 002**).
  - 5/10/15W (**RCS 003**).
- Three power positions for 100V line:
  - 4/8/12W (**RCS 001**).
  - 10/15/20W (**RCS 002**).
  - 10/20/30W (**RCS 003**).
- Direct connection to output transformer.
- High resistance ABS housing and aluminum grille.
- Rotating screw clamps for fast installations.

## Dimensions

\* In mm.



## RCS Series

### Specifications

MODEL	RCS 001	RCS 002	RCS 003	
<b>TECHNICAL SPECIFICATIONS</b>	<b>Type:</b>	2-way in-wall/ ceiling speaker	2-way in-wall/ ceiling speaker	3-way in-wall/ ceiling speaker
	<b>Elements: LF</b>	5" Woofer	6.5" Woofer	8" Woofer
	<b>Elements: HF</b>	1" Tweeter	1" Tweeter	2.5" Tweeter + 1" silk dome
	<b>(*) Power Taps (70V):</b>	2W (2k5Ω) / 4W (1k2Ω) / 4W (816Ω)	5W (980Ω) / 7.5W (653Ω) / 10W (490Ω)	5W (980Ω) / 10W (490Ω) / 15W (326Ω)
	<b>Power Taps (100V):</b>	4W (2k5Ω) / 8W (1k2Ω) / 12W (833Ω)	10W (1kΩ) / 15W (666Ω) / 20W (500Ω)	10W (1kΩ) / 20W (500Ω) / 30W (333Ω)
	<b>Power handling:</b>	(8 Ω) 20W	(8 Ω) 30W	(8 Ω) 40W
	<b>Frequency Response:</b>	50 Hz - 18 kHz	45 Hz - 20 kHz	30 Hz - 18 kHz
	<b>Sensitivity:</b>	88 dB @ 1W /1m	90 dB @ 1W /1m	92 dB @ 1W /1m
	<b>Max. SPL:</b>	97 dB @1W /1m	103 dB @1W /1m	106 dB @1W /1m
<b>PHYSICAL SPECIFICATIONS</b>	<b>Material (front baffle):</b>	ABS plastic	ABS plastic	ABS plastic
	<b>Material (grille):</b>	Powder coated aluminum mesh	Powder coated aluminum mesh	Powder coated aluminum mesh
	<b>Finished colour:</b>	White (RAL9003)	White (RAL9003)	White (RAL9003)
	<b>Mounting hole diameter:</b>	211 x 144 mm.	303 x 195 mm.	330 x 230 mm.
	<b>Fixation type:</b>	Rotating screw clamps	Rotating screw clamps	Rotating screw clamps
	<b>Dimensions:</b>	260 x 190 x 59 mm (L x W x D)	345 x 235 x 90 mm (L x W x D)	370 x 270 x 95 mm (L x W x D)
	<b>Weight:</b>	1,3 kg	1,52 kg	2,5 kg

(\*) The power taps indicated are calculated for 100V line. In case of 70V line installations, each power tap will correspond to half the value.

\* Specifications are subject to change without notice.



Rev. 12.06.01